

PRODUCT INFORMATION PACKET

Model No: 5KCR49TN2139U

Catalog No: G1392

2 HP General Purpose Motor, 1 phase, 3600 RPM, 115/230 V, 56 Frame, TEFC
Single Phase TEFC Motors



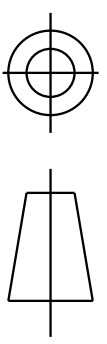
Nameplate Specifications

| | | | |
|----------------------------|-----------------------------|------------------------|------------|
| Output HP | 2 Hp | Output KW | 1.5 kW |
| Frequency | 60 Hz | Voltage | 115/230 V |
| Current | 17.8,8.9 A | Speed | 3450 rpm |
| Service Factor | 1.15 | Phase | 1 |
| Efficiency | 78.1 % | Power Factor | 0 |
| Duty | Continuous | Insulation Class | B |
| KVA Code | G | Frame | 56 |
| Enclosure | Totally Enclosed Fan Cooled | Thermal Protection | MAN |
| Ambient Temperature | 40 °C | Drive End Bearing Size | 6203 |
| Opp Drive End Bearing Size | 6203 | UL | Recognized |
| CSA | Yes | CE | N |

Technical Specifications

| | | | |
|-------------------|-------------------------------|-----------------------|----------------------------|
| Electrical Type | Capacitor Start Capacitor Run | Starting Method | SM |
| Poles | 2 | Rotation | Counterclockwise/Clockwise |
| Mounting | Rigid Base | Motor Orientation | ANY |
| Drive End Bearing | BALL | Opp Drive End Bearing | Ball |
| Frame Material | Rolled Steel | Overall Length | 14.27 in |
| Frame Length | 8.99 in | Shaft Diameter | 0.630 in |
| Shaft Extension | 1.88 in | | |
| Outline Drawing | 52A109627P1 | Connection Drawing | 52A105383BF |

This is an uncontrolled document once printed or downloaded and is subject to change without notice. Date Created:03/11/2020



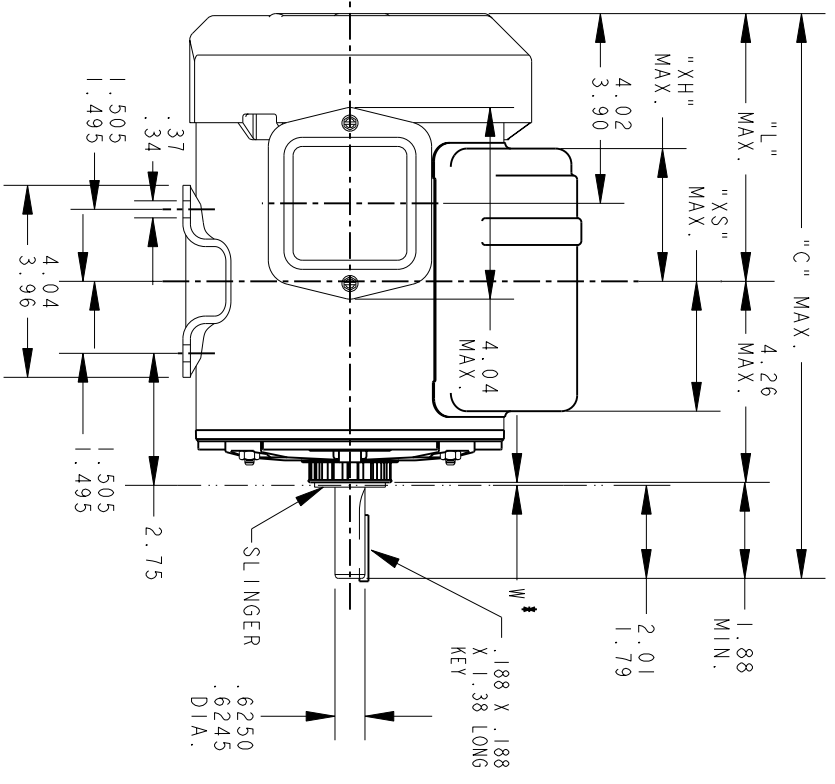
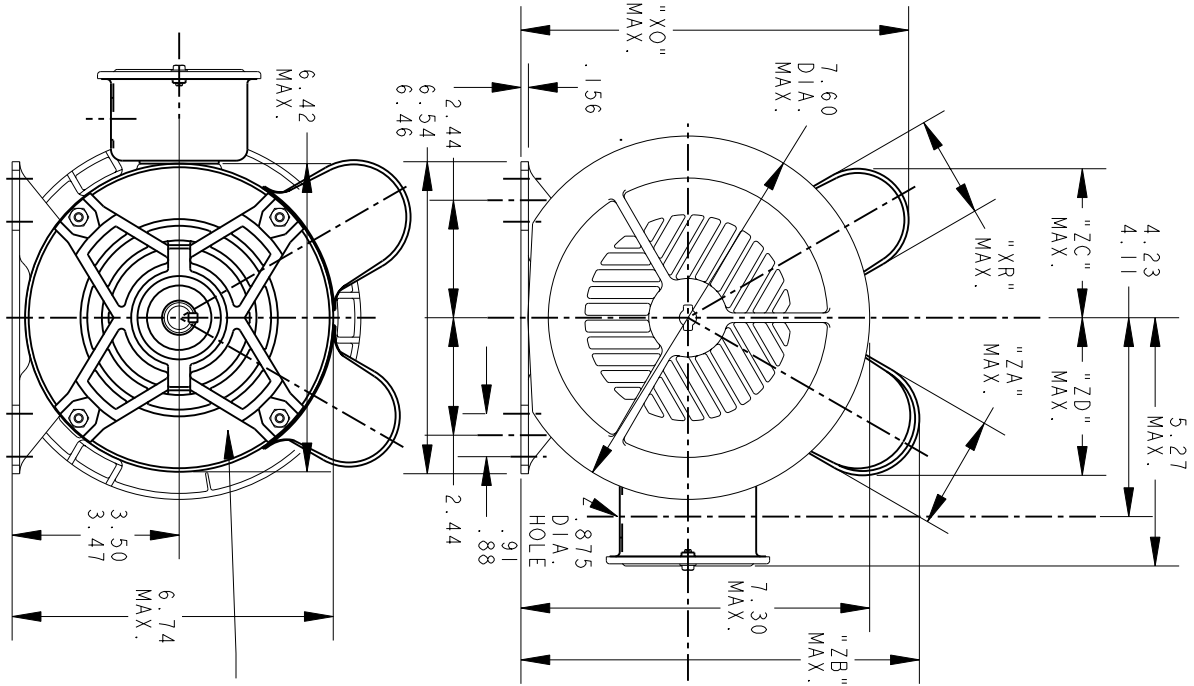
THIRD ANGLE PROJECTION

REVISIONS

| REV. | DESCRIPTION | DATE | APPROVED |
|------|-------------------|----------|----------|
| 1 | PER ISAAC 05-2899 | 12/05/05 | RAJKUMAR |

52A109627 1

SIZE A DRAWING NO.



* W IS A VARIABLE CLEARANCE DUE TO VARIATIONS IN PARTS AND ASSEMBLY

CONTINUATION OF 52A107728

VIEW OF P.E. END SHIELD

ALL DIMENSIONS ARE IN INCHES

| I | KCR | 49 | 56 | 14.27 | 8.12 | 4.17 | 8.14 | 2.10 | 1.54 | 2.22 | 8.31 | 3.12 | 3.25 | 8.99 |
|---|------|----|------|-------|------|------|------|------|------|------|------|------|------|------------|
| P | TYPE | GE | NEMA | "C" | "L" | "XH" | "XO" | "XR" | "XS" | "ZA" | "ZB" | "ZC" | "ZD" | MIN. SHELL |

REGAL-BELOIT CORPORATION

OUTLINE

GENERAL PURPOSE MOTOR - TEFC - BALL BEARING - WELDED BASE

FMF - 40 FRAME REDESIGN

| SIGNATURES | | DATE |
|-------------------------------|--------------|--------------------|
| MODEL | | |
| DETAIL | M.D. PARE | 06/01/94 |
| CHECKED | | |
| ENGRG | | |
| MFG | | |
| FOR ADDITIONAL INFO REFER TO: | | |
| APPLIED PRACTICES | QUALITY | |
| DIMENSIONS ARE IN INCHES | ISSUED | M.D. PARE 06/01/94 |
| MATERIAL | SOLID MODEL: | 52A109627 |

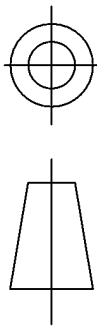
| TITLE | SIZE | SCALE | REF. No. | SHEET |
|---|---------|-------|----------|--------|
| GENERAL PURPOSE MOTOR - TEFC - BALL BEARING - WELDED BASE | DRAWING | 0.250 | | 1 of 1 |
| 52A109627 | | | | |

| | |
|-----|-------|
| REV | SHEET |
| 1 | 1 |

| REV. | DESCRIPTION | DATE | APPROVED |
|------|---------------------------------|----------|----------|
| 1 | FORMAT CHG TO RBC PER ISO5-1777 | 05/24/06 | SHIRISH |

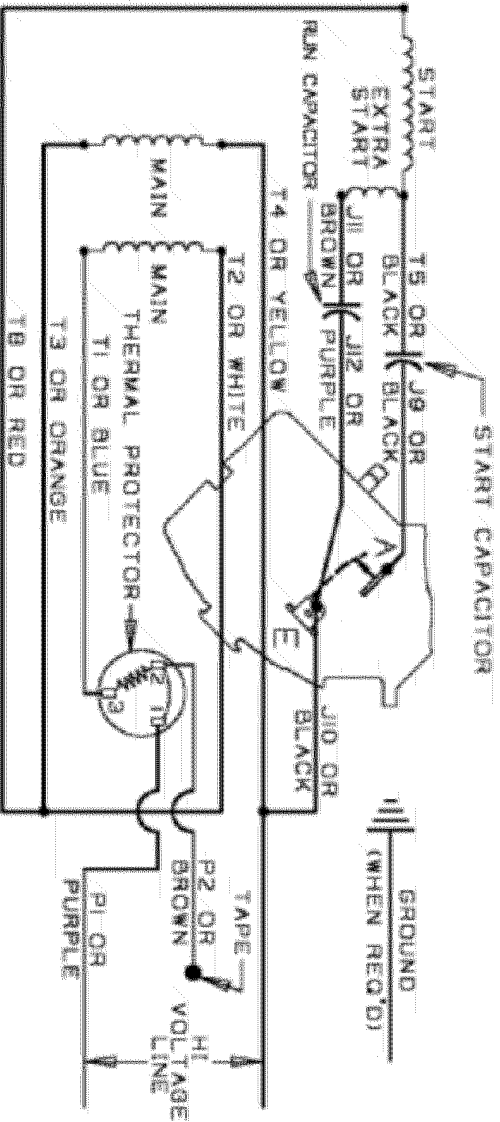
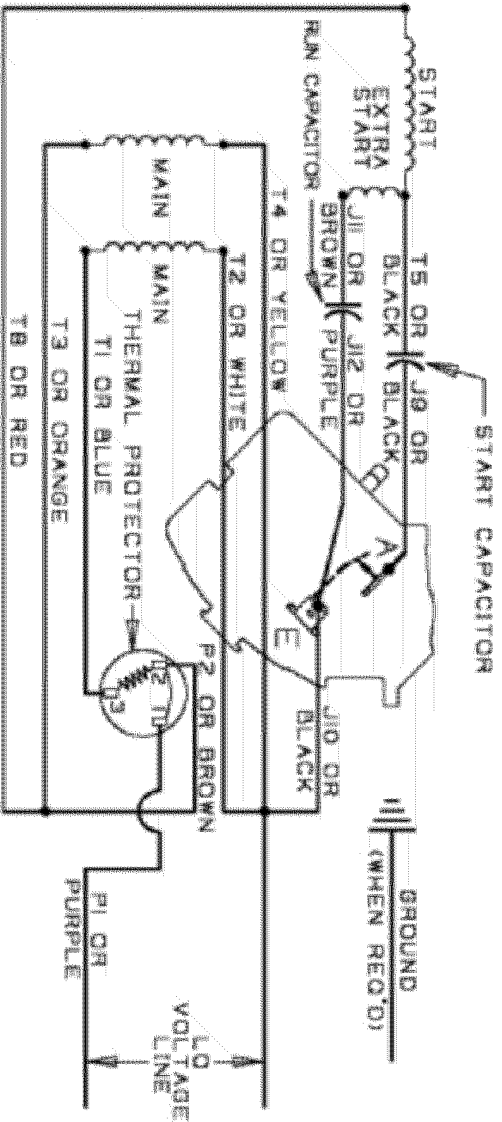
52A105383BF

SIZE DRAWING NO. A



THIRD ANGLE PROJECTION

CCW/CW ROTATION - DUAL VOLTAGE
TYPE KCR - WITH THERMAL PROTECTOR



NOTE#1 - TO REVERSE ROTATION, INTERCHANGE TB RED AND J10 BLACK LEADS.
NOTE#2 - WHEN MORE THAN ONE CAPACITOR IS USED, CONNECT IN PARALLEL.

SWITCH (H) - 1150958AA
CONNECTION LABEL - 52X332912



CONNECTION DIAGRAM

First made for - 30 FR. SWITCH REDESIGN

| | | |
|-------------------------------|-------------------------|----------|
| FOR ADDITIONAL INFO REFER TO: | SIGNATURES | DATE |
| APPLIED PRACTICES | MODEL B. JOHNSON | 08/19/91 |
| DIMENSIONS ARE IN INCHES | DETAIL | |
| TOLERANCE ON: | CHECKED | |
| 1 PL DECIMALS ± 0.1 | EMERG | |
| 2 PL DECIMALS ± 0.01 | MFG | |
| 3 PL DECIMALS ± 0.005 | QUALITY | |
| ANGLES ± 0.5 | ISSUED | 08/19/91 |
| FRACTIONS ± | B.L.J. | |
| FINISH | SOLID MODEL: MODEL NAME | |

| | | | |
|----------------------|--------------|-------------|-----|
| TITLE | SIZE | DRAWING | REV |
| CONNECTION DIAGRAM | A | 52A105383BF | 1 |
| SCALE: DRAWING SCALE | SHEET 1 of 1 | | |